

ΔPOLLO 11

ΔPOLLO 11V₂



LIVE FREE
ARMORY

OPERATION & SAFETY MANUAL

IMPORTANT SAFETY INFORMATION INSIDE
READ THIS MANUAL BEFORE HANDLING THIS FIREARM



WARNING!

Section 790.174, Florida Statutes, requires a loaded firearm in the home to be stored in a locked box container or secured with a trigger lock if the owner reasonably knows that a child under the age of 16 can gain access to the firearm. A violation of this law is a misdemeanor.

These simple steps may prevent needless and tragic injury or death so often associated with the careless storage and handling of firearms. Responsible and informed firearm owners use these storage and handling methods, without exception, to ensure the safety of those in the home.

- Load firearm only when on range preparing to fire. Unload it before leaving range.
- Treat every firearm as if it is loaded, all the time!
- Obey all laws regarding the storage and security of firearms in the home.
- Know and obey the laws regarding the transportation and carrying of firearms
- Keep a trigger-locking device on the firearm, in addition to keeping it locked away, as an additional safety factor. There is no such thing as overemphasizing firearm safety.
- Lock firearms and ammunition in separate locations. This is a good backup precaution.
- Old or reloaded ammunition may cause damage to the firearm and/or injure you or others. Use only clean, dry, original, high-quality, commercially manufactured ammunition. Using reloaded ammunition will void the warranty.
- Never point a firearm at anyone, loaded or unloaded. Too often the unintentional discharge of guns, even those believed to be unloaded, has killed or wounded innocent persons.
- Educate everyone in the home about firearms safety — especially children. Firearms are not toys. Emphasize the danger in, and outside, the home. Give reinforcement training frequently.

Firearm owners must always remember that a firearm may protect life, but it can also be a potential deadly threat to innocent persons. The proper storing and handling of a firearm must always be foremost in the mind of the owner who is responsible for the safety of those in the home.

6 RULES OF GUN SAFETY

- 1. TREAT ALL GUNS AS IF THEY'RE LOADED**
- 2. NEVER LET THE MUZZLE POINT AT ANYTHING YOU ARE NOT WILLING TO FIRE UPON.**
- 3. KEEP YOUR FINGER OFF THE TRIGGER UNTIL YOU ARE READY TO FIRE**
- 4. BE SURE OF YOUR TARGET AND WHAT'S BEHIND IT**
- 5. ALWAYS SECURE YOUR GUNS FROM CHILDREN & UNAUTHORIZED PEOPLE**
- 6. DO NOT DROP YOUR FIREARM. MAKE SURE YOU MAINTAIN CONTROL OF YOUR FIREARM AT ALL TIMES. IF IT FALLS, IT MAY FIRE. IF YOU DO DROP IT, UNLOAD IT AND EXAMINE IT TO BE SURE IT WORKS CORRECTLY. DO NOT ATTEMPT TO FIRE IT AGAIN UNTIL YOU HAVE COMPLETED THIS SAFETY CHECK.**

STATE CONSTITUTIONAL PROVISION - ARTICLE 1, SECTION 8

- (A) THE RIGHT OF THE PEOPLE TO KEEP AND BEAR ARMS IN DEFENSE OF THEMSELVES AND OF THE LAWFUL AUTHORITY OF THE STATE SHALL NOT BE INFRINGED, EXCEPT THAT THE MANNER OF BEARING ARMS MAY BE REGULATED BY LAW.
- (B) THERE SHALL BE A MANDATORY PERIOD OF THREE DAYS, EXCLUDING WEEKENDS AND LEGAL HOLIDAYS, BETWEEN THE PURCHASE AND DELIVERY AT RETAIL OF ANY HANDGUN. FOR THE PURPOSES OF THIS SECTION, "PURCHASE" MEANS THE TRANSFER OF MONEY OR OTHER VALUABLE CONSIDERATION TO THE RETAILER, AND "HANDGUN" MEANS A FIREARM CAPABLE OF BEING CARRIED AND USED BY ONE HAND, SUCH AS A PISTOL OR REVOLVER. HOLDERS OF A CONCEALED WEAPON PERMIT AS PRESCRIBED IN FLORIDA LAW SHALL NOT BE SUBJECT TO THE PROVISIONS OF THIS PARAGRAPH.
- (C) ... ANYONE VIOLATING THE PROVISIONS OF SUBSECTION (B) SHALL BE GUILTY OF A FELONY. (D) THIS RESTRICTION SHALL NOT APPLY TO A TRADE IN OF ANOTHER HANDGUN." ARTICLE 1, SECTION 8.

THE LEGISLATURE OF THE STATE OF FLORIDA, IN A DECLARATION OF POLICY INCORPORATED IN ITS "WEAPONS AND FIREARMS" STATUTE, RECOGNIZES THAT ADULT CITIZENS OF THE STATE RETAIN THEIR CONSTITUTIONAL RIGHT TO KEEP AND BEAR FIREARMS FOR HUNTING AND SPORTING ACTIVITIES AND FOR DEFENSE OF SELF, FAMILY, HOME, AND BUSINESS AND AS COLLECTIBLES.

TABLE OF CONTENTS

DESCRIPTION	6
MAIN COMPONENTS.....	7
PARTS DIAGRAM	8
PARTS LIST.....	9
CABLE LOCK	10
AMMUNITION.....	11
HANDLING.....	14
SAFETY FEATURES	15
LOADING THE FIREARM	17
FIRING THE PISTOL.....	18
RELOADING DURING SHOOTING	19
CLEARING A STOPPAGE	20
UNLOADING THE PISTOL	21
HAMMER OPERATION.....	22
MAINTENANCE.....	24
FIELD STRIPPING PISTOL	24
CLEANING THE APOLLO	26
SLIDE REPLACEMENT PROCEDURE.....	28
BARREL REPLACEMENT PROCEDURE.....	30
FUNCTION VERIFICATION.....	32
SPECIFICATIONS	34
WARRANTY.....	35
MAINTENANCE SCHEDULE	36
STATE SAFETY WARNINGS.....	37

**READ THIS OWNER'S MANUAL COMPLETELY
BEFORE LOADING AND FIRING THIS FIREARM, READ AND
UNDERSTAND THE INFORMATION IN THIS MANUAL**

*This is an auto loading firearm. It is immediately loaded and ready to fire again after each shot until all cartridges loaded in magazine have been fired. The firearm is able to fire both with and without the magazine in place. **REMOVING THE MAGAZINE DOES NOT UNLOAD THE FIREARM NOR DOES IT ENGAGE A SAFETY. THE FIREARM IS NOT UNLOADED UNTIL THE MAGAZINE IS REMOVED AND THE CHAMBER IS EMPTY.***

THIS IS AN INSTRUCTION BOOKLET ON HOW TO OPERATE THE APOLLO 11 WITH SOME BASIC SAFE HANDLING RULES. IT DOES NOT ATTEMPT TO PROVIDE INFORMATION ABOUT USING A FIREARM TO DEFEND YOURSELF, HOW TO HUNT, OR FOR COMPETITIVE OR TARGET SHOOTING. IT IS IMPORTANT TO RECEIVE TRAINING FROM A COMPETENT FIREARMS INSTRUCTOR PRIOR TO ENGAGING IN ANY OF THESE ACTIVITIES. THE NATIONAL RIFLE ASSOCIATION, YOUR LOCAL OR STATE AUTHORITIES, OR YOUR FIREARM DEALER MAY PROVIDE INFORMATION REGARDING AVAILABLE INSTRUCTORS OR TRAINING COURSES. IF YOU HAVE A LICENSE TO CARRY CONCEALED, NEVER DO SO WITHOUT PRIOR INSTRUCTION FROM A CERTIFIED INSTRUCTOR. USING A FIREARM FOR SELF DEFENSE IS A COMPLEX SUBJECT WITH DANGERS AND RISKS FOR WHICH YOU MUST BE PROPERLY TRAINED. EVERY SAFETY RULE HAS A REASON BEHIND IT - READ THE RULES CAREFULLY AND UNDERSTAND WHY EACH IS IMPORTANT FOR SAFETY.

IT IS RECOMMENDED THAT EVERY PERSON RECEIVE INSTRUCTIONS FROM A COMPETENT FIREARMS INSTRUCTOR BEFORE HANDLING THIS OR ANY OTHER FIREARM.

KNOW AND OBEY ALL FIREARM LAWS AND REGULATIONS, WHICH MAY VARY FROM CITY TO CITY AND STATE TO STATE. DO NOT GIVE A FIREARM TO SOMEONE WHO IS NOT ALLOWED TO OWN A FIREARM OR WHO MAY USE IT FOR A CRIMINAL PURPOSE.

DESCRIPTION OF FIREARM

GENERAL

Introducing the cutting-edge Apollo 11 9mm Pistol, a marvel of firearm engineering that seamlessly blends timeless design with modern innovation to deliver unmatched performance and reliability. Crafted with precision and attention to detail, this pistol is the embodiment of form and function. The Apollo 11 pistol boasts a sleek and elegant profile, with a heat treated 416 stainless steel slide, 4140 steel frame that exudes sophistication. Its streamlined frame, available in various colors, not only looks stunning but also ensures excellent ergonomics for a comfortable grip and easy handling. This pistol offers a double-stack magazine design, allowing for an impressive capacity of up to 17+1 rounds of 9mm ammunition. Whether for self-defense, competitive shooting, or target practice, you'll have ample firepower at your disposal. The heart of the Apollo 11 pistol lies in its meticulously engineered components. Its match-grade barrel guarantees exceptional accuracy, while the finely tuned trigger system provides a crisp, consistent break for precise shot placement. The Apollo 11 features a match grade 4.9 inch bushingless-bull barrel that is honed, burnished to an 8-micron finish, and rifle cut for unparalleled accuracy. Each component is hand-fitted for optimal performance. With its innovative recoil reduction system and aggressive grip texture, this pistol delivers minimal recoil, allowing for rapid follow-up shots and improved accuracy. Whether you're a seasoned shooter or a novice, you'll appreciate the reduced muzzle rise and enhanced control. Personalization is key, and the Apollo 11 9mm Pistol offers a range of customization options. Accessory rails enable the attachment of lights, lasers, and other tactical enhancements. The slide comes standard with an RMSc optic cut to directly mount a sight without cumbersome plates or adapters. Your safety is paramount, and this pistol incorporates modern safety features, including a grip safety and a robust ambidextrous manual thumb safety for peace of mind while carrying and handling. Engineered to withstand the rigors of extended use, the Apollo 11 9mm Pistol is constructed from high-quality materials. Its durable finish resists wear and corrosion, ensuring a long service life. This pistol is designed to perform flawlessly even in adverse conditions. Whether you're a professional in the field or a recreational shooter at the range, the Apollo 11 pistol adapts to your needs. Its adaptable design makes it suitable for home defense, concealed carry, or competitive shooting.

The Apollo 11 9mm Pistol is a harmonious blend of classic design and modern technology, offering an exquisite combination of style, accuracy, and guaranteed reliability. With its enhanced capacity, precision engineering, and customizable features, it stands as a testament to the evolution of firearms design and is sure to exceed your expectations. Experience the pinnacle of handgun craftsmanship with the Apollo 11 pistol.

FEATURES

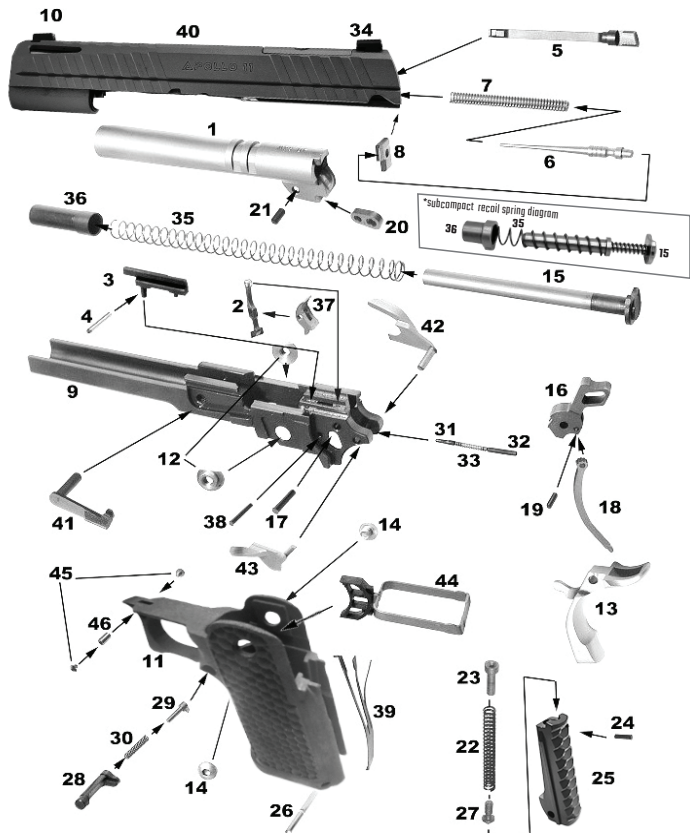
- Hammer fired double stack 9mm pistol
- Picatinny Rail built into the frame. Sized to easily fit industry standard tactical accessories
- Ambidextrous thumb safety
- Slide is optic ready, utilizing a RMSc footprint
- Double stack 9mm magazine
- Aggressive grip texture

MAIN COMPONENTS



PARTS DIAGRAM

APOLLO II PARTS DIAGRAM



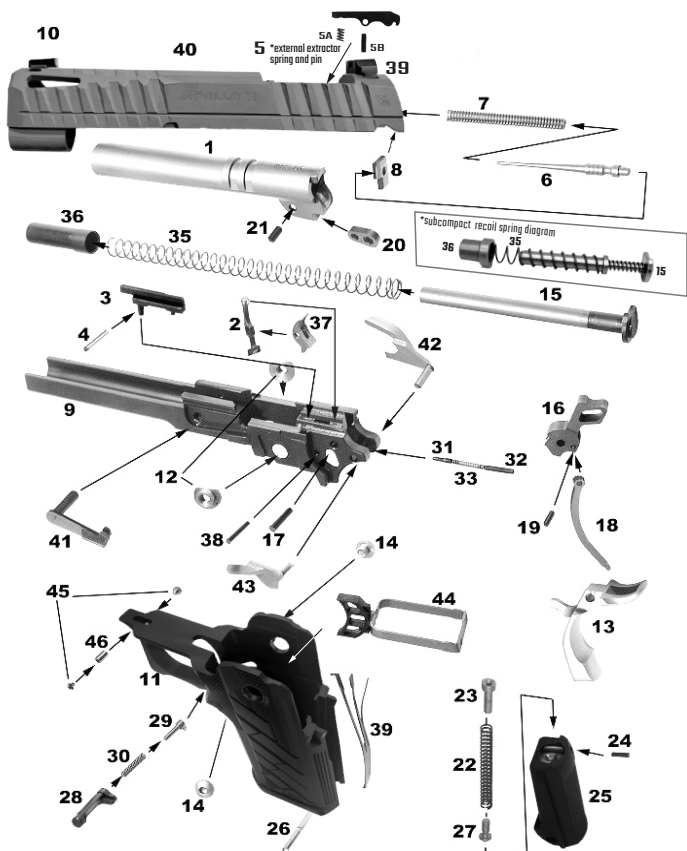
MAIN COMPONENTS

APOLLO 11 V2



PARTS DIAGRAM

APOLLO 11 V2



APOLLO 11 PARTS

1. Barrel
2. Disconnecter
3. Ejector
4. Ejector Pin
5. Extractor
6. Firing Pin
7. Firing Pin Spring
8. Firing Pin Stop
9. Frame
10. Front Sight
11. Grip
12. Grip Bushing
13. Grip Safety
14. Grip Screws
15. Guide Rod
16. Hammer
17. Hammer Pin
18. Hammer Strut
19. Hammer Strut Pin
20. Barrel Link
21. Barrel Link Pin
22. Mainspring
23. Mainspring Cap
24. Mainspring Housing Pin
25. Mainspring Housing
26. Mainspring Housing Retainer Pin
27. Mainspring Housing Pin Retainer
28. Mag Release
29. Mag Release Lock
30. Mag Release Spring
31. Plunger Slide Stop
32. Plunger Thumb Safety
33. Plunger Spring
34. Rear Sight
35. Recoil Spring
36. Reverse Plug/Recoil Spring Plug
37. Sear
38. Sear Pin
39. Sear Spring
40. Slide
41. Slide Stop
42. Thumb Safety, Ambi
43. Thumb Safety, Single Sided
44. Trigger
45. Trigger Guard Sleeve Screw
46. Trigger Guard Sleeve

CABLE LOCK

The Apollo 11 comes with a standard cable lock. The cable is installed in unloaded pistols. Store your pistol with the lock installed.

1. Pull the slide.
2. Lock the slide open in the rearward position.
3. Insert the end of the cable through the ejection port and through the magwell.
4. Insert the end of the cable into lock.
5. Turn key and remove.
6. Tug on lock to ensure functionality.



Figure 10-1



Figure 10-2

AMMUNITION

The correct caliber of the Apollo is engraved on the firearm barrel. Do not use ammunition of a different caliber with your firearm. Only use ammunition of the caliber for which your firearm is chambered.

Do not use cartridges that are dirty, wet, corroded, bent, or damaged.

Do not oil, spray aerosol-type lubricants, preservatives, or cleaners directly onto cartridges.

Using reloaded, “remanufactured” hand-loaded, or other non-standard ammunition voids all warranties. Severe injury may result to the shooter or damage the firearm. Always use ammunition that complies with the industry performance standards established by the Sporting Arms and Ammunition Manufacturers’ Institute, Inc. (SAAMI) or ammunition manufactured to military specifications.

WARNING – AMMUNITION (CARTRIDGE) NOTICE

LIVE FREE ARMORY SPECIFICALLY DISCLAIMS RESPONSIBILITY FOR ANY DAMAGE OR INJURY WHATSOEVER OCCURRING IN CONNECTION WITH, OR AS A RESULT OF, THE USE IN ANY LIVE FREE ARMORY FIREARM OF NON-STANDARD, RELOADED, “REMANUFACTURED” HAND-LOADED, OR FAULTY AMMUNITION, OR CARTRIDGES OTHER THAN THOSE FOR WHICH THE FIREARM WAS ORIGINALLY CHAMBERED.

Serious injury to the shooter or to others, or severe damage to the firearm may result from any condition causing excessive pressure inside the chamber or barrel during firing.

Excessive pressure can happen by the following but not limited to:

- barrel obstructions
- propellant powder overloads
- the use of incorrect, damaged or defectively assembled cartridges

The use of a dirty, corroded, or damaged cartridge can lead to a burst cartridge case and consequent damage to the firearm and personal injury from the sudden escape of high-pressure propellant gas within the firearm’s mechanism.

IF THERE IS ANY REASON TO SUSPECT OF A BARREL OBSTRUCTION, IMMEDIATELY UNLOAD THE FIREARM AND THOROUGHLY INSPECT THE BORE AND BARREL. IT IS NOT SUFFICIENT TO ONLY LOOK IN THE CHAMBER.

Immediately stop shooting and check the barrel for a possible obstruction whenever, but not limited to:

- You have difficulty in, or feel unusual resistance in, chambering a cartridge
- A cartridge misfires (does not go off)
- The mechanism fails to extract a fired cartridge case
- Unburned grains of propellant powder are discovered spilled in the mechanism
- A shot sounds weak or abnormal. In such cases it is possible that a bullet is lodged partway down the barrel. Firing a subsequent bullet into the obstructed barrel can damage the firearm and cause serious injury to the shooter or to bystanders

Bullets can become lodged in the barrel if, but not limited to:

- The cartridge may have been improperly loaded, or the powder may have failed to ignite properly.
- The bullet may not have been properly seated in the cartridge case.

A bullet may be lodged anywhere in the barrel. It may not be easily seen without a thorough inspection of the barrel.

WARNING – LODGED BULLET

NEVER SHOOT OUT ANY FORM OF BORE OR BARREL OBSTRUCTION (BULLET OR OTHERWISE) BY USING ANOTHER CARTRIDGE OR BY A BLANK OR ONE FROM WHICH THE BULLET HAS BEEN REMOVED. DOING SO CAN GENERATE EXCESSIVE PRESSURE, DAMAGE THE FIREARM, AND CAUSE SERIOUS PERSONAL INJURY.

If the bullet can be removed with a cleaning rod, clean any unburned powder grains from the bore, chamber, and mechanism before resuming shooting. If the bullet cannot be dislodged by tapping it with a cleaning rod, send the firearm to Live Free Armory.

Dirt, corrosion, or other foreign matter on a cartridge can impede complete chambering and may cause the cartridge case to burst upon firing. The same is true of cartridges that are damaged or deformed.

Do not oil cartridges, and be sure to wipe the chamber clean of any oil or preservative before commencing to shoot. Oil interferes with the friction between cartridge case and chamber wall that is necessary for safe functioning, and subjects the firearm to stress similar to that imposed by excessive pressure.

Use lubricants sparingly on the moving parts of your firearm. Avoid excessive spraying of any aerosol gun care product, especially where it may get on ammunition. All lubricants and aerosol spray lubricants, in particular, can penetrate cartridge primers and cause misfires. Some highly penetrative lubricants can also migrate inside cartridge cases and cause deterioration of the propellant powder; on firing, the powder may not ignite. If only the primer ignites, there is danger that the bullet may become lodged in the barrel.

WARNING – AMMUNITION

DEATH, SERIOUS INJURY, AND DAMAGE CAN RESULT FROM THE USE OF WRONG AMMUNITION, BORE OBSTRUCTIONS, POWDER OVERLOADS, OR INCORRECT CARTRIDGE COMPONENTS. ALWAYS WEAR SHOOTING GLASSES AND HEARING PROTECTORS.

IMPROPER AMMUNITION DESTROYS FIREARMS

WARNING – LEAD EXPOSURE

DISCHARGING FIREARMS IN POORLY VENTILATED AREAS, CLEANING FIREARMS, OR HANDLING AMMUNITION MAY RESULT IN EXPOSURE TO LEAD AND OTHER SUBSTANCES KNOWN TO THE STATE OF CALIFORNIA TO CAUSE BIRTH DEFECTS, REPRODUCTIVE HARM, AND OTHER SERIOUS PHYSICAL INJURY. MAINTAIN ADEQUATE VENTILATION AT ALL TIMES.

WASH HANDS THOROUGHLY AFTER EXPOSURE.

SHOOTING OR CLEANING FIREARMS MAY EXPOSE YOU TO LEAD

HANDLING

PREPARATION INSTRUCTIONS

We strongly suggest you perform an initial cleaning and lubrication of the pistol once it is unpacked. Any fouling present will have been from final range firing at the factory prior to shipping. Please refer to this manual's section for instructions pertaining to cleaning the pistol. If you have the pistol and ammunition, and have read and understood all of the safety instructions, you are now ready to use the pistol.

NEVER RELY ON A FIREARM'S "SAFETY FEATURES" TO PROTECT YOU FROM UNSAFE FIREARM HANDLING. A SAFETY IS ONLY A MECHANICAL DEVICE.

IT WILL FIRE IF THERE IS A ROUND IN THE CHAMBER, SAFETIES DISENGAGED, AND THE TRIGGER IS PULLED.

WARNING - ALWAYS BE SURE THAT THE BARREL IS CLEAR OF ANY OBSTRUCTIONS.

REMOVE ANY OBSTRUCTIONS BEFORE FIRING YOUR PISTOL SO THAT IT WILL FUNCTION SAFELY AND CORRECTLY. OBSTRUCTIONS IN THE BARREL COULD PREVENT THE PISTOL FROM FIRING PROPERLY AND RESULT IN DEATH OR SERIOUS PERSONAL INJURY OR DAMAGE TO THE PISTOL.

WARNING - ALWAYS WEAR PERSONAL PROTECTION EQUIPMENT WHEN USING YOUR APOLLO 11

ALWAYS WEAR EYE AND HEARING PROTECTION WHEN FIRING YOUR PISTOL.

WARNING - KEEP THE EJECTION PORT CLEAR

NEVER BLOCK THE EJECTION. BLOCKING THE EJECTION PORT DURING FIRING COULD CAUSE MALFUNCTIONS, RESULT IN DEATH OR SERIOUS PERSONAL INJURY OR DAMAGE TO THE PISTOL.

WARNING - KEEP PATH OF EXPELLING CASINGS FROM THE EJECTION PORT CLEAR

EMPTY BULLET CASINGS ARE HOT AND MOVE AT HIGH SPEEDS FROM THE EJECTION PORT. DO NOT FIRE IF ANY PART OF YOUR BODY OR ANYONE ELSE IS WITHIN THE PATH OF EXPELLING CASINGS. NEVER ALLOW ANYONE TO STAND BESIDE YOU WHERE THEY MAY BE STRUCK BY A BULLET CASING.

SAFETY FEATURES

MANUAL THUMB SAFETY

The Apollo 11 features a manually operated ambidextrous thumb safety, situated on both the rear left and right sides of the pistol, just beneath the hammer (Figure 15-1).

To activate the safety and place it in the “safe” position, push the “safety” lever completely upward into the recess located at the rear of the slide (as shown in Figure 15-2). It’s important to note that the safety cannot be set to the “safe” position unless the hammer is in the “cocked” position.

To deactivate the manual safety for firing, push the safety lever all the way down. At this point, the pistol is in the “off safe” condition and can be fired by pressing the trigger.



Figure 15-1



Figure 15-2

SAFETY FEATURES CONT.

GRIP SAFETY

The grip safety, shown in Figure 16-1, is positioned at the upper rear of the firearm grip. It must be pressed down to deactivate. Without the grip safety properly depressed and deactivated, the firearm will not discharge. The grip safety is engineered to be disengaged only when the firearm is held correctly in the firing stance. To discharge the firearm, you must securely hold it, depress the grip safety, and subsequently pull the trigger. Ensuring a proper grip on the firearm is essential for reliable functionality.



Figure 16-1

WARNING

Even when the chamber is devoid of ammunition, there may still be cartridges inside the magazine. The firearm is considered fully unloaded only when both the magazine is removed and the chamber is confirmed to be empty.

LOADING THE FIREARM

The Apollo uses a double stack 9MM magazine. Ensure you are using the proper and undamaged magazine, and the correct caliber.

LOADING THE PISTOL (READY TO FIRE)

1. Point the pistol in a safe direction, down range. Ensure your finger is not on the trigger.
2. Remove magazine. (If magazine is present)
3. Retract the slide and lock it to the rear by pushing up on slide catch lever.
4. Inspect the chamber to ensure it is clear.
5. Inspect breech face and magazine well for any foreign debris.
6. Push a loaded magazine up into the magazine well until it locks in place. There should be an audible click when the magazine is properly loaded and ready.
7. Release the slide by either:
 - a. Pressing down on the slide catch lever releasing the slide forward, chambering a cartridge.
 - b. Slightly pull back on the slide and release it to chamber a cartridge
8. Move thumb safety up to engage the safety.



WARNING – LOADED PISTOL

THE PISTOL IS NOW LOADED AND READY TO FIRE

FIRING THE PISTOL

Grasp grip of pistol firmly. (A loose grip may cause the pistol to malfunction.) The pressure from the hand will disengage grip safety located at top of rear grip area.

1. Point the pistol in a safe direction, while keeping your finger off of the trigger.
2. Load a cartridge into chamber from magazine following the procedure described on page 15 and lift manual safety to the "on safe" position).
3. Aim the pistol, by aligning the front and rear sights: at a safe target.
4. Move thumb safety down taking gun off safety. Caution: The gun is now ready to fire . Be prepared for noise and recoil when pistol fires.
5. Place finger on the trigger only when ready to fire.
6. Depress trigger to discharge.
7. Keep pistol aimed at the target and continue to fire as required or until the magazine is empty.
8. When last round has been fired, slide will lock open and remain to rear.
9. Press magazine catch to remove the magazine, unload.

This is a semi-automatic firearm. It automatically reloads and is ready to fire again immediately after each shot until all cartridges in the magazine have been discharged. The firearm can fire both with and without the magazine in place. Removing the magazine does not unload the firearm, nor does it engage a safety mechanism. **The firearm is considered unloaded only when the magazine is removed, and the chamber is empty.**



RELOADING DURING SHOOTING

The slide will lock back in the open position after the last round is fired by the slide catch lever automatically.

1. Press the magazine catch.
2. Remove the empty magazine.
3. Insert a loaded magazine (ensure it is fully in place after an audible click).
4. Release the slide by either:
 - a. Pressing down on the slide catch lever
 - b. Pulling back on the slide and release



WARNING – LOADED PISTOL

THE PISTOL IS NOW LOADED AND READY TO FIRE

WARNING – LOADED PISTOL

THE PISTOL IS NOW LOADED AND READY TO FIRE.

ENSURE THE MUZZLE IS POINTED IN A SAFE DIRECTION! DO NOT PLACE YOUR FINGER ON THE TRIGGER UNTIL YOU ARE READY TO FIRE THE PISTOL.

NEVER FIRE ANY FIREARM WITH ANY PART OF YOUR BODY OVER OR NEAR THE EJECTION PORT.

CLEARING A STOPPAGE

An unfired cartridge or fired cartridge case may occasionally become jammed between the slide and the barrel. WHILE KEEPING THE MUZZLE POINTED IN A SAFE DIRECTION, clear the stoppage as follows:

1. Take your finger off of the trigger.
2. Pull back slide and lock it to the rear by pushing up on the slide catch lever.
3. Press magazine catch and remove magazine.
4. Dislodge any expended casings or live cartridges from pistol.
5. Visually and physically inspect chamber and breech face to make sure pistol is cleared.
6. If cartridge cannot be removed, lock slide back, carefully store your firearm and magazines and take it to a gunsmith. (USE SUPPLIED CABLE LOCK). (Figure 10-2)

WARNING – EJECTION

THE SLIDE OPENS AND SHUTS QUICKLY WHILE FIRING. KEEP FACE AND HANDS AWAY FROM IT. HOT BRASS AND POWDER GAS IS EJECTED QUICKLY AND CAN BURN YOU. ALWAYS WEAR SAFETY GLASSES AND HEARING PROTECTION.

UNLOADING THE PISTOL

WARNING – UNLOADING

REMOVING CARTRIDGES FROM THE MAGAZINE DOES NOT PREVENT THE PISTOL FROM BEING FIRED! WHEN THERE IS A CARTRIDGE IN THE CHAMBER, THE CARTRIDGE WILL DISCHARGE IF THE TRIGGER IS PRESSED.

IT IS ABSOLUTELY ESSENTIAL FOR THE USER TO KNOW HOW TO COMPLETELY UNLOAD THE PISTOL.

“COMPLETELY” MEANS EMPTYING THE MAGAZINE AND REMOVING A CHAMBERED CARTRIDGE.

PISTOL WILL FIRE WITH MAGAZINE EMPTY OR REMOVED

UNLOADING THE PISTOL (MAGAZINE NOT EMPTY)

1. Keep the muzzle pointed in a safe direction and finger off the trigger.
2. Press the magazine catch and remove the magazine.
3. Pull the slide completely to the rear while watching for ejection of live cartridge. Push up on slide catch lever locking slide open.
4. Visually and physically check the chamber to ensure the pistol is completely free of ammunition from the chamber end.
5. Depress the slide catch lever, causing the slide to close.
6. Engage the manual safety by pushing it up.
7. Unload remaining ammunition from the magazine.

UNLOADING THE PISTOL (MAGAZINE EMPTY, SLIDE OPEN)

1. Keep the muzzle pointed in a safe direction and finger off the trigger.
2. Depress the magazine catch and remove the magazine.
3. Visually and physically check the chamber to ensure the pistol is completely free of ammunition from the chamber.
4. Depress the slide catch lever, causing the slide to close.
5. Engage the manual safety by pushing it up.

Always make sure the muzzle is pointed in a safe direction! Remember to clear the chamber after the magazine has been removed.

Never assume that any firearm is unloaded until you have personally checked it, visually and physically!

After every range session, make a final check to be certain the firearm is unloaded before leaving the range.

WARNING:

EVEN THOUGH THE CHAMBER IS EMPTY THERE MAY BE CARTRIDGES IN THE MAGAZINE. THE FIREARM IS NOT COMPLETELY UNLOADED UNTIL THE MAGAZINE IS REMOVED AND THE CHAMBER IS EMPTY.

HAMMER OPERATION

WARNING:

THE APOLLO 11 IS A SINGLE-ACTION FIREARM FEATURING AN EXPOSED THREE-POSITION HAMMER, INCLUDING THE FULLY COCKED, HALF-COCKED, AND LOWERED POSITIONS. THE TEXTURED ROUND HAMMER SPUR ENHANCES MANUAL CONTROL WHEN COCKING OR LOWERING THE HAMMER.

POSITION- LOWERED POSITION

1. Point gun in safe direction, with your finger off the trigger; and ensure pistol is unloaded (See Unloading Section).
2. Hold the pistol securely with your shooting hand to ensure control.
3. With your non-shooting hand, firmly grip the hammer spur using your thumb and forefinger. (Figure 22-1)
4. Anticipate hammer motion and then squeeze the trigger.
5. Slowly lower hammer with thumb and forefinger until it is fully lowered. (Figure 22-2)
6. Release trigger once the hammer is fully lowered. (If the trigger is released early the gun may be on the Half Cock position.)

NOTE: Always store and carry your pistol with an empty chamber and the hammer in the forward (down) position until you are ready to fire, ensuring that it cannot be discharged accidentally

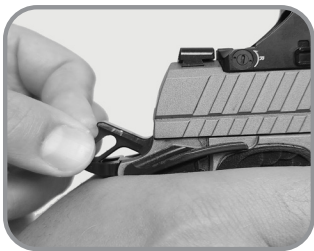


Figure 22-1

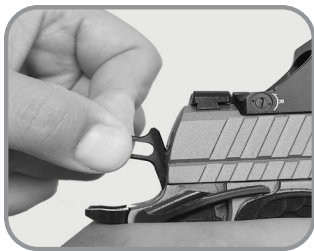


Figure 22-2

POSITION • FULLY COCKED

In the fully cocked position, the hammer is fully rearward, as shown in Figure 23-1. When the pistol is in the fully cocked position, with the manual safety disengaged and a cartridge in the chamber, pulling the trigger will discharge the firearm.

POSITION • HALF COCKED

The half-cocked hammer position, illustrated in Figure 23-2, lies between the dropped position and the fully-cocked position. It serves as a precaution to prevent the hammer from hitting the firing pin if your thumb accidentally slips off the hammer while either cocking or lowering it. **It's important to note that the half-cocked position does not function as a safety mechanism.**



Figure 23-1



Figure 23-2

WARNING:

DO NOT ATTEMPT TO LOWER THE HAMMER ON A LOADED PISTOL UNDER ANY CIRCUMSTANCES.

WARNING:

CAUTION: IF THE PISTOL IS LOADED, THERE IS A RISK OF ACCIDENTAL DISCHARGE IF THE HAMMER SLIPS FROM YOUR GRIP DURING THIS PROCEDURE.

WARNING:

DO NOT CARRY OR STORE THE PISTOL WITH THE HAMMER IN THE HALF-COCK POSITION. THE HALF-COCK POSITION IS SOLELY INTENDED AS A SAFETY MEASURE TO CATCH THE HAMMER IN CASE IT SLIPS WHILE TRANSITIONING FROM THE FULL-COCK TO THE LOWERED POSITION OR DURING COCKING. SHOULD THE HAMMER SLIP WHILE THE TRIGGER IS DEPRESSED, THE HALF-COCK NOTCH WILL NOT PREVENT THE HAMMER FROM STRIKING THE FIRING PIN. KEEP YOUR FINGER AWAY FROM THE TRIGGER WHEN COCKING THE HAMMER. FAILURE TO HEED THESE WARNINGS COULD LEAD TO SEVERE INJURY OR LOSS OF LIFE.

MAINTENANCE

WARNING – VERIFY THE MAGAZINE IS REMOVED AND THERE ARE NO ROUNDS IN THE CHAMBER

VISUALLY AND PHYSICALLY CONFIRM THE PISTOL IS UNLOADED AND CLEARED BEFORE ATTEMPTING DISASSEMBLY OR PERFORMING ANY MAINTENANCE STEPS. FAILURE TO ENSURE THE FIREARM IS UNLOADED AND CLEARED COULD RESULT IN UNINTENTIONAL DISCHARGE, CAUSING SEVERE INJURY OR DEATH, OR PROPERTY DAMAGE.

VERIFY THE FIREARM IS UNLOADED AND CLEARED

Ensure that there is no live ammunition in the vicinity while you are performing maintenance on your firearms.

FIELD STRIPPING PISTOL

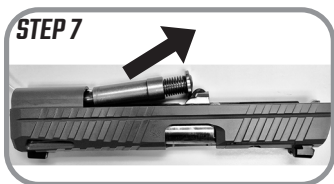
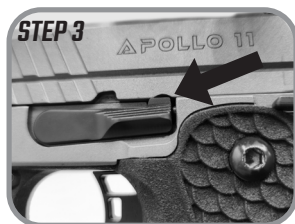
1. Keep the firearm pointed in a safe direction while ensuring your finger remains off the trigger.
2. Unload the pistol by removing the magazine and retract slide to eject a chambered round and to inspect there is no round in the chamber. Do not proceed until the firearm is unloaded and cleared (refer to Unloading the Pistol for more information on page 18).
3. Align the disassembly notch on the slide with the slide stop, then proceed to remove the slide stop from the pistol by moving it from right to left.
4. While securely holding the slide, gently slide the assembly forward and off the frame rails to detach it from the frame.
5. Using the thumb push the guide rod to the front of the slide, exposing a small hole on the guide rod.
6. Use a small piece of wire or paper clip with a 90 degree bend, and insert it into the hole on the guide rod.
7. To take out the recoil assembly, slide it towards the rear of the slide from its position within the recoil spring tunnel.
8. Hold the barrel lug and gently lift it approximately 1/8" upward. Then, while keeping the barrel lug in a vertical position, slide the barrel forward then rotate barrel lug down and out of the slide. This action completes the field stripping process.

The firearm has been completely field stripped and is now prepared for cleaning. When reassembling your Apollo, follow the reverse order of the steps above.

WARNING: Additional disassembly is not required and should exclusively be carried out by

LFA or a certified gunsmith.

FIELD STRIPPING PISTOL (CONT.)



Cleaning The Apollo 11 Pistol

WARNING – CLEANING

NEVER CLEAN THE BARREL FROM THE MUZZLE END; DO NOT USE A STEEL WIRE BRUSH AS IT CAN DAMAGE THE SMOOTH SURFACE OF THE BARREL. USE A SUITABLE CLEANING ROD AND A FIBER OR BRASS BRUSH OF THE CORRECT CALIBER. SOLVENTS CAN BE HARMFUL TO THE SURFACE FINISH OF THE PISTOL. READ AND FOLLOW THE MANUFACTURER'S WARNINGS BEFORE USING SOLVENTS OR CLEANERS. WEAR EYE PROTECTION.

AVOID OVER-LUBRICATION OF COMPONENTS.

WARNING – LUBRICATION

DO NOT LUBRICATE THE FIRING PIN OR ALLOW LUBRICANT TO FLOW INTO THE FIRING PIN CHANNEL OF THE SLIDE. THIS MAY CAUSE A LIGHT STRIKE TO THE CARTRIDGE RESULTING IN A FAILURE TO FIRE.

The following instructions are for normal environmental conditions. Clean and lube before or after every day the pistol is fired and at a minimum of every 500 rounds.

BARREL

1. Wet a cleaning patch with solvent and push it through the bore from the chamber end and out past the muzzle with a cleaning rod. Avoid reversing the direction of the rod while a patch or brush is inside the barrel, as it may cause binding.
2. Clean barrel with dry patches and examine it . If necessary, repeat barrel cleaning .
3. Next, wipe scrubbed areas with solvent-wetted patch. Use the bore brush and a cleaning rod to scrub heavy deposits from the bore.
4. Use solvent on a clean patch, remove powder residue from all exterior areas. If residue cannot be removed by wiping with patch, use solvent-wetted bristle brush.
5. Following cleaning, pass a dry patch through the barrel, and subsequently, use a lightly oiled patch.
6. Wipe all surfaces clean with cloth, then wipe all surfaces with lightly oiled patch (or cloth).



RECOIL SPRING AND GUIDE ASSEMBLY

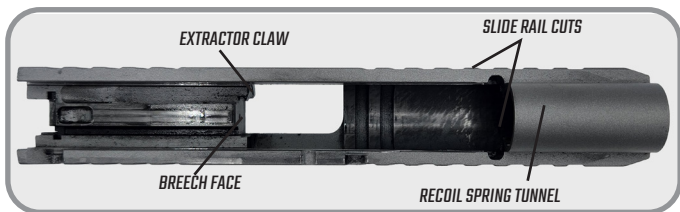
1. Clean the recoil spring guide assembly with solvent and a soft brush.
2. Wipe clean with a dry patch
3. After cleaning, apply a light coat of lubricant.

GRIP ASSEMBLY

1. Wipe the grip assembly with a soft cloth.
2. Use cotton swabs to clean hard to reach areas. Pay special attention to the frame rails, takedown lever and slide catch lever.
3. Lubricate the grip assembly rails with a light coat of lubricant.
4. Apply lubricant to accessible functioning parts.
5. Clean the magazine well of any dirt, dust or residue with a soft cloth.

SLIDE

1. Lightly apply solvent a nylon bristle brush and thoroughly brush the rail cuts in the slide where it meets the slide rails on the frame rails.
2. Wipe the rail cuts in the slide with a clean patch and examine it. If it is not clean, repeat steps 1 and 2 until the patch remains clean.
3. Lightly apply solvent a nylon bristle brush and, while holding the slide with the muzzle end facing down, brush the breech face and the area under the extractor claw.
4. While holding the slide with the muzzle end facing down, wipe the breech face and the area under the extractor claw with a clean patch.
5. Check all other exposed areas of the slide for cleanliness. If any dirt or debris is found, remove it with solvent using a nylon bristle brush, patch, or a clean, soft cloth.
6. Wipe the exposed areas of the slide that you have cleaned in step 5 with a clean patch and examine it. If it is not clean, repeat steps 5 and 6 until the patch remains clean.
7. Then wipe all surfaces with lightly oiled cloth (or patch).



APOLLO 11 COMBO KIT SLIDE REPLACEMENT PROCEDURE

WARNING – VERIFY THE MAGAZINE IS REMOVED AND THERE ARE NO ROUNDS IN THE CHAMBER

VISUALLY AND PHYSICALLY CONFIRM THE PISTOL IS UNLOADED AND CLEARED BEFORE ATTEMPTING DISASSEMBLY OR PERFORMING ANY MAINTENANCE STEPS. FAILURE TO ENSURE THE FIREARM IS UNLOADED AND CLEARED COULD RESULT IN UNINTENTIONAL DISCHARGE, CAUSING SEVERE INJURY OR DEATH, OR PROPERTY DAMAGE.

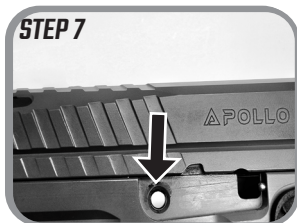
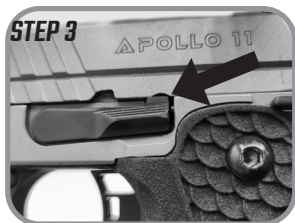
VERIFY THE FIREARM IS UNLOADED AND CLEARED

Ensure that there is no live ammunition in the vicinity while you are performing maintenance on your firearms.

SLIDE REPLACEMENT PROCEDURE

1. Keep the firearm pointed in a safe direction while ensuring your finger remains off the trigger.
2. Unload the pistol by removing the magazine and retract slide to eject a chambered round and to inspect there is no round in the chamber. Do not proceed until the firearm is unloaded and cleared (refer to Unloading the Pistol for more information on page 18).
3. Align the disassembly notch on the slide with the slide stop, then proceed to remove the slide stop from the pistol by moving it from right to left.
4. While securely holding the slide, gently slide the assembly forward and off the frame rails to detach it from the frame.
5. Ensure the barrel link is oriented forward, towards the muzzle end of the slide, when installing the new slide.
6. Align the slide rails with the frame and reinstall the slide. **Note:** Ensure the guide rod flange is securely positioned against the barrel, not pushing outward toward the frame, and make sure the barrel is not rotated to either side. This will allow the top assembly to properly slide onto the lower.
7. Check for the link through the slide stop hole in the frame. The slide stop pin needs to pass through the link to work correctly. **NOTE:** If the link hole isn't aligned, you can use a tool to guide it into position.
8. Place the slide stop into the frame through the link hole, allowing it to sit lightly against the frame
9. Pull the slide rearward until the take-down notch aligns with the slide stop's knuckle, then press the slide stop fully into the frame
10. Cycle the slide to ensure it operates correctly.

SLIDE REPLACEMENT PROCEDURE (CONT.)



APOLLO 11 BARREL REPLACEMENT PROCEDURE

WARNING – VERIFY THE MAGAZINE IS REMOVED AND THERE ARE NO ROUNDS IN THE CHAMBER

VISUALLY AND PHYSICALLY CONFIRM THE PISTOL IS UNLOADED AND CLEARED BEFORE ATTEMPTING DISASSEMBLY OR PERFORMING ANY MAINTENANCE STEPS. FAILURE TO ENSURE THE FIREARM IS UNLOADED AND CLEARED COULD RESULT IN UNINTENTIONAL DISCHARGE, CAUSING SEVERE INJURY OR DEATH, OR PROPERTY DAMAGE.

VERIFY THE FIREARM IS UNLOADED AND CLEARED

Ensure that there is no live ammunition in the vicinity while you are performing maintenance on your firearms.

BARREL REPLACEMENT PROCEDURE DISASSEMBLY

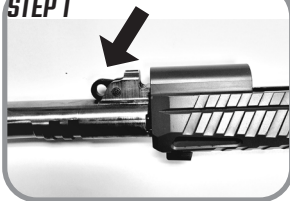
1. Keep the firearm pointed in a safe direction while ensuring your finger remains off the trigger.
2. Follow field stripping guide on pages 24 & 25

BARREL REPLACEMENT PROCEDURE ASSEMBLY

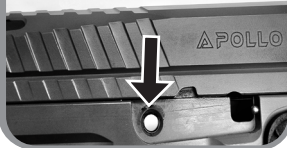
1. Ensure the barrel link is positioned forward toward the muzzle end. Reinstall the barrel by inserting it through the front of the slide.
2. After positioning the barrel in the slide, ensure the barrel link is oriented upward.
3. Place the guide rod assembly into position. Press the rear of the flange to release the takedown lever, then gently lower it into place. Compress recoil assembly and remove takedown tool.
4. Align the slide rails with the frame and carefully reinstall the slide.
Note: Verify that the guide rod flange is firmly seated against the barrel and not angled outward toward the frame. Also, ensure the barrel is correctly aligned and not rotated to either side, as misalignment can prevent the slide from properly fitting onto the frame.
5. Look through the slide stop hole in the frame for the barrel link. The slide stop pin must pass through the link for proper function.
Tip: If the link hole is not aligned, use a tool to adjust the link into position.
6. Insert the slide stop through the link hole in the frame and allow it to rest gently against the frame.
7. Pull the slide back until the takedown notch aligns with the knuckle of the slide stop. Press the slide stop fully into the frame.
8. Rack the slide several times to confirm smooth operation and proper reassembly.

BARREL REPLACEMENT PROCEDURE ASSEMBLY (CONT.)

STEP 1



STEP 5



STEP 2



STEP 7



STEP 3



STEP 4



FUNCTION VERIFICATION

The function check is performed on the assembled pistol to verify functionality. It should be performed after the completion of repairs and after each cleaning and assembly of the pistol.

WARNING – MAINTENANCE

Verify the magazine is removed – visually and physically confirm the pistol is unloaded and cleared before disassembly or performing any maintenance. Failure to ensure the firearm is unloaded and cleared could result in unintentional discharge, causing severe injury or death, or property damage.

VERIFY THE FIREARM IS UNLOADED AND CLEARED

1. Point firearm in a safe direction
2. Ensure the magazine is removed, move slide to the rear and the chamber is unloaded and cleared
3. Check recoil spring function/slide travel.
 - a. Retract the slide fully and release.
 - b. Verify the slide locks fully in the closed position.
 - c. Repeat the procedure.
4. Hammer Function
 - a. Half-Cock- Using your thumb, retract the hammer until you hear the first audible click, placing the hammer at the half-cock notch. Hold the firearm in a regular grip and attempt to pull the trigger. Under no circumstances should the hammer fall.
 - b. Full Cock- Proceeding from half-cock. Using your thumb, retract the hammer all the way back. There should be two audible clicks. The hammer should fall normally. Use hammer-lowering method as discussed on page 20.
5. Thumb Safety
 - a. Push the thumb safety upward to activate it. The trigger should remain inoperable when the safety is engaged.
 - b. Deactivate the safety and employ the hammer-lowering method as discussed on page 20.
6. Grip Safety
 - a. With the hammer cocked and the slide forward, ensure the thumb safety is in the OFF position. Hold the firearm in a way that avoids depressing the grip safety, and then attempt to pull the trigger. The hammer should not release. If it does, this indicates that the grip safety may be worn or deactivated.
7. Check the trigger mechanism:
 - a. Press the trigger fully to the rear.
 - b. As the trigger is pressed rearward the hammer is released causing an audible click.
8. Check slide catch lever.
 - a. Insert an empty magazine.
 - b. Retract the slide fully and release.
 - c. Verify the slide is locked to the rear by the slide catch lever.
 - d. Depress the slide catch lever.
 - e. Verify the slide is released and closes in the locked position.
 - f. Remove the magazine.

FUNCTION VERIFICATION CONTINUED

9. Inspect the magazine.
 - a. Check the condition of the magazine tube.
 - b. Verify the magazine floorplate is secure.
 - c. Check for free movement of the magazine follower and spring.
 - d. Insert the magazine into the pistol and remove. Verify smooth insertion. Check the magazine catch for clean engagement and smooth release.

10. Inspect the pistol exterior.
 - a. Inspect the general condition of the pistol.
 - b. Check the sights, frame, slide, barrel and takedown lever for damage.
 - c. Verify the front and rear sights are secure.

APOLLO 5" 9MM DOUBLE STACK SPECIFICATIONS

Caliber	9x19mm
Height Including Magazine	5.2 inches
Slide Width	0.925 inches
Width (Overall)	1.21 inches
Slide Length Complete	7.42 inches
Length (Overall)	8.41 inches
Weight Including Magazine	35.2oz : 2.2lbs
Magazine Capacity	17 Rounds
Barrel Length	4.9 inches
Barrel Rifling	1:16 left hand twist
Length of Twist	4.11 inches
Trigger Pull	3.5 lbs
Trigger Travel	0.310 inches
Sight Radius	5.92 inches

LIVE FREE ARMORY® LIMITED LIFETIME FIREARMS WARRANTY

Live Free Armory will warranty factory-built firearms against defects in material or workmanship for the lifetime of the product. Live Free Armory agrees to correct any defect in a firearm by repair or replacement with the same or comparable quality components at Live Free Armory's discretion, provided that the firearm is returned unloaded and freight prepaid to Live Free Armory at:

***2725 Kirby Cir. NE Building 1
Palm Bay, Florida 32905***

This warranty is null and void if the firearm has been misused, damaged, or fired with hand loaded, reloaded or improper ammunition that does not correlate with SAAMI specifications. Failure to perform reasonable and necessary maintenance as described in the manual will void the warranty. Firing the firearm with an obstruction in the barrel will void the warranty. Any repairs or modifications to the firearm (including cosmetic), if not performed by Live Free Armory, will void the warranty. Any modifications to the barrel will void the warranty. This warranty does not apply to normal wear and tear, and does not apply to any accessory items attached to the firearm. Live Free Armory does supply components of firearms, which may result in complete firearms that were not factory built by Live Free Armory. If you are uncertain whether your firearm was factory built by Live Free Armory, please contact us at 407-891-1255 to verify the status, using the serial number.

MAINTENANCE SCHEDULE

To ensure a long lasting firearm, Live Free Armory recommends the following schedule of maintenance and replacement of parts.

CLEANING AND LUBING

Every 500 and/or after every shooting

RECOIL SPRING

Replace every 3,000 rounds

HAMMER SPRING

Replace every 25,000 rounds

FIRING PIN

When cracked or broken

FIRING PIN SPRING

Replace every 5,000 rounds

EXTRACTOR

Replace when hook edges become worn or fails to maintain tension

MAGAZINE CATCH SPRING

Replace every 15,000 rounds

SLIDE CATCH

When worn, cracked or broken

To purchase replacement parts, please contact sales@LiveFreeArmory.com

STATE REQUIRED SAFETY WARNINGS

California:

WARNING!

"Firearms must be handled responsibly and securely stored to prevent access by children and other unauthorized users. California has strict laws pertaining to firearms, and you may be fined or imprisoned if you fail to comply with them. Visit the Web site of the California Attorney General at <https://oag.ca.gov/firearms> for information on firearm laws applicable to you and how you can comply. Prevent child access by always keeping guns locked away and unloaded when not in use. If you keep a loaded firearm where a child obtains and improperly uses it, you may be fined or sent to prison."

Connecticut:

"UNLAWFUL STORAGE OF A LOADED FIREARM MAY RESULT IN IMPRISONMENT OR FINE."

Florida:

"IT IS UNLAWFUL, AND PUNISHABLE BY IMPRISONMENT AND FINE, FOR ANY ADULT TO STORE OR LEAVE A FIREARM IN ANY PLACE WITHIN THE REACH OR EASY ACCESS OF A MINOR UNDER 18 YEARS OF AGE OR TO KNOWINGLY SELL OR OTHERWISE TRANSFER OWNERSHIP OR POSSESSION OF A FIREARM TO A MINOR OR A PERSON OF UNSOUND MIND."

Maine:

"ENDANGERING THE WELFARE OF A CHILD IS A CRIME. IF YOU LEAVE A FIREARM AND AMMUNITION WITHIN EASY ACCESS OF A CHILD, YOU MAY BE SUBJECT TO FINE, IMPRISONMENT OR BOTH. KEEP FIREARMS AND AMMUNITION LOCKED UP. USE TRIGGER LOCKS."

Maryland:

WARNING: "CHILDREN CAN OPERATE FIREARMS WHICH MAY CAUSE DEATH OR SERIOUS INJURY. IT IS A CRIME TO STORE OR LEAVE A LOADED FIREARM IN ANY LOCATION WHERE AN INDIVIDUAL KNEW OR SHOULD HAVE KNOWN THAT AN UNSUPERVISED MINOR WOULD GAIN ACCESS TO THE FIREARM. STORE YOUR FIREARM RESPONSIBLY!"

Massachusetts:

"WARNING FROM THE MASSACHUSETTS ATTORNEY GENERAL: This handgun is not equipped with a device that fully blocks use by unauthorized users. More than 200,000 firearms like this one are stolen from their owners every year in the United States. In addition, there are more than a thousand suicides each year by younger children and teenagers who get access to firearms. Hundreds more die from accidental discharge. It is likely that many more children sustain serious wounds, or inflict such wounds accidentally on others. In order to limit the chance of such misuse, it is imperative that you keep this weapon locked in a secure place and take reasonable preventive steps necessary to limit the possibility of theft or accident. Failure to take reasonable preventative steps may result in innocent lives being lost, and in some circumstances may result in your liability for these deaths."

CONTINUED ON NEXT PAGE

"IT IS UNLAWFUL TO STORE OR KEEP A FIREARM, RIFLE, SHOTGUN OR MACHINE GUN IN ANY PLACE UNLESS THAT WEAPON IS EQUIPPED WITH A TAMPER-RESISTANT SAFETY DEVICE OR IS STORED OR KEPT IN A SECURELY LOCKED CONTAINER."

New Jersey:

"IT IS A CRIMINAL OFFENSE TO LEAVE A LOADED FIREARM WITHIN EASY ACCESS OF A MINOR."

New York City:

"THE USE OF A LOCKING DEVICE OR SAFETY LOCK IS ONLY ONE ASPECT OF RESPONSIBLE FIREARMS STORAGE. FOR INCREASED SAFETY, FIREARMS SHOULD BE STORED UNLOADED AND LOCKED IN A LOCATION THAT IS BOTH SEPARATE FROM THEIR AMMUNITION AND INACCESSIBLE TO CHILDREN AND OTHER UNAUTHORIZED PERSONS."

North Carolina:

"IT IS UNLAWFUL TO STORE OR LEAVE A FIREARM THAT CAN BE DISCHARGED IN A MANNER THAT A REASONABLE PERSON SHOULD KNOW IS ACCESSIBLE TO A MINOR."

Texas:

"IT IS UNLAWFUL TO STORE, TRANSPORT, OR ABANDON AN UNSECURED FIREARM IN A PLACE WHERE CHILDREN ARE LIKELY TO BE AND CAN OBTAIN ACCESS TO THE FIREARM."

Wisconsin:

"IF YOU LEAVE A LOADED FIREARM WITHIN THE REACH OR EASY ACCESS OF A CHILD YOU MAY BE FINED OR IMPRISONED OR BOTH IF THE CHILD IMPROPERLY DISCHARGES, POSSESSES, OR EXHIBITS THE FIREARM." State laws and regulations concerning firearms change constantly. Please check with your local federally licensed firearm dealer or state police for additional laws and regulations regarding the storage and use of firearms in your state.

THIS LIST IS ONLY A BRIEF GUIDE. LAWS AND REGULATIONS CHANGE DAILY. THE OWNER IS RESPONSIBLE FOR KNOWING THEIR OWN STATE LAWS. LIVE FREE ARMORY IS NOT RESPONSIBLE FOR ANY CRIMES OR MISUSE OF THIS FIREARM.



WWW.LIVEFREEARMORY.COM

FOR PRODUCT SERVICE ON THESE MODELS
customerservice@livefreearmory.com

2725 KIRBY CIRCLE NE, BUILDING 1, PALM BAY,
FLORIDA 32905 USA